

8 7 6 5 4 3 2 1

Internal plywood divider
at middle of barrel
(optional)

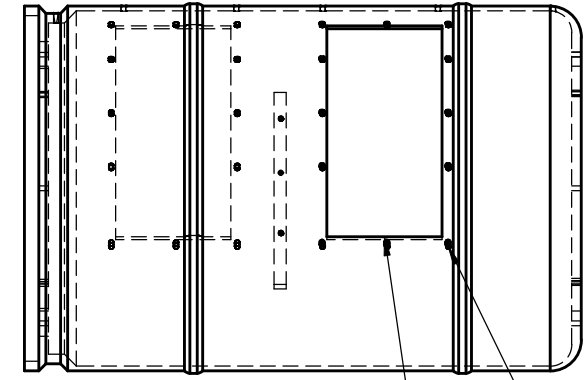
18 - 18.5" diameter for 30 G.
Drum
22.5" diameter for 55 G.

1/4"- 20 TPI Bolt
1 1/2" full thread
McMaster-Carr
bolt # 92865A546
and Insert # 90186A213

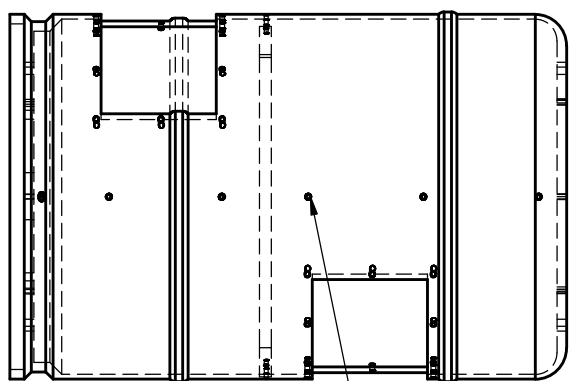
1/4" holes, 13.5" diameter
4 to 8 holes, 90° to 45°
spacing respectively

10-12" Diameter opening

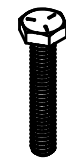
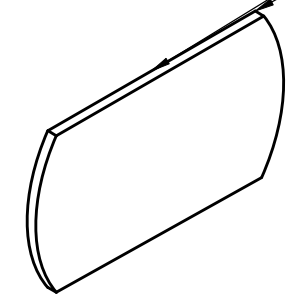
SIDE VIEW



TOP VIEW



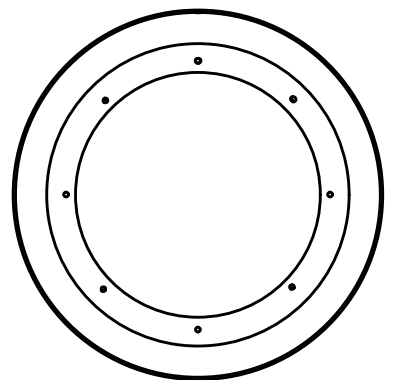
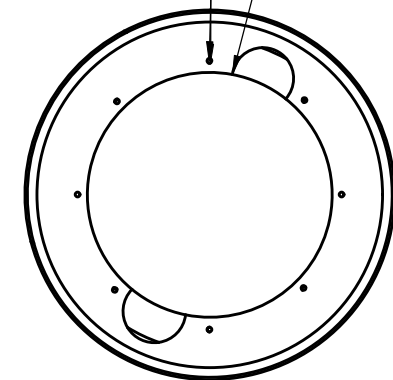
up to 16" high



SCALE 1:2



SCALE 1:2



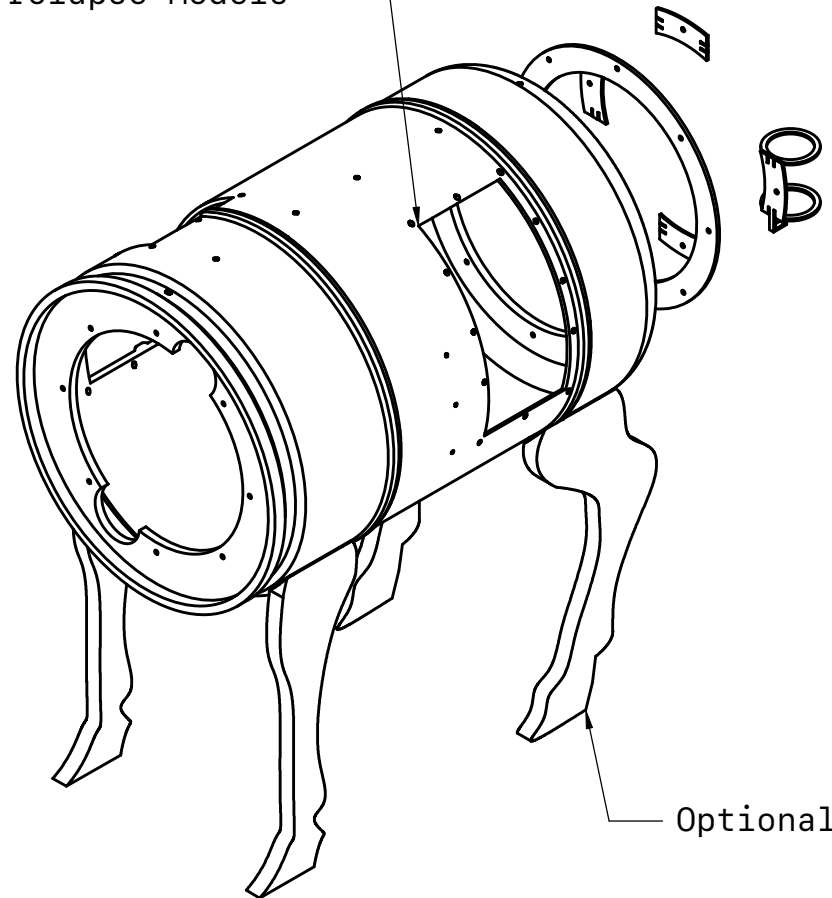
End View / Barrel Bottom

Hole patterns work for cesarean,
prolapse, swine castration, etc.

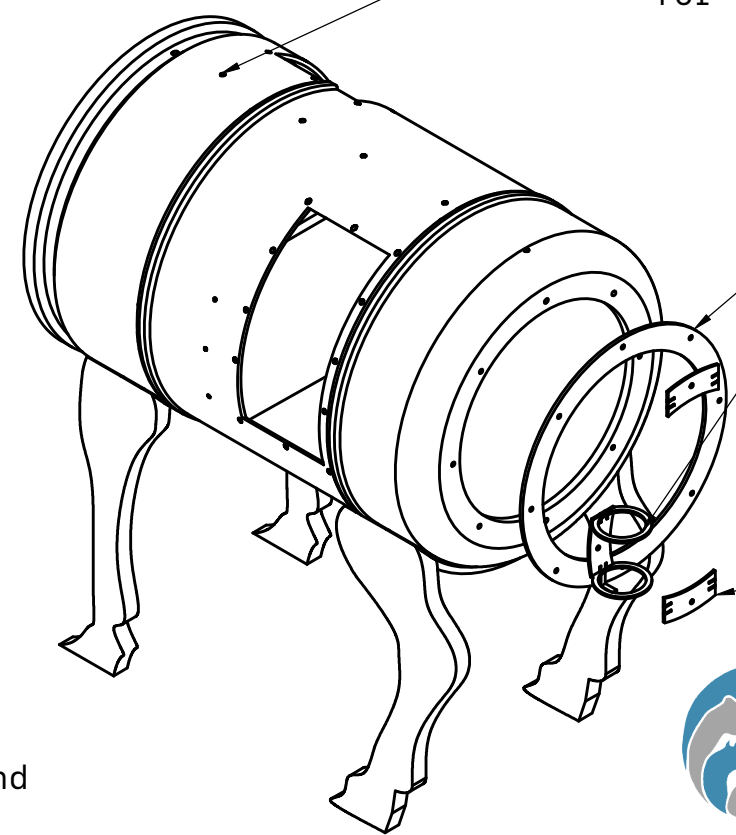
Hole(s) cut at
6.5" W by 16.5" H
This opening
doubles in utility for
Cesarean and
Prolapse Models

1/8" holes @ 4" spacing
for mounting cesarean skins.
Binding screws
McMaster-Carr
item # 95519A641

6 - 1/4" holes
evenly spaced ~5"
along the top
(hole for elastic cord
to suspend uterus
for cesarean)

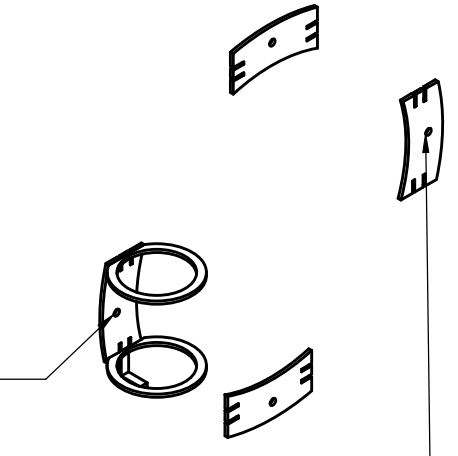


Optional stand



Optional ring to mount

Mineral Oil Holder and
mounting plate



SCALE 1:6

Mounting Plates, 1/4" hole
(3 Qty)



TITLE SIMUVET KEG 30 G. Drum		
UNITS in	PROJ. ANG. 	SIZE B
SCALE 1:10	LAST UPDATED 01/27/26	SHEET 1/1

8 7 6 5 4 3 2 1